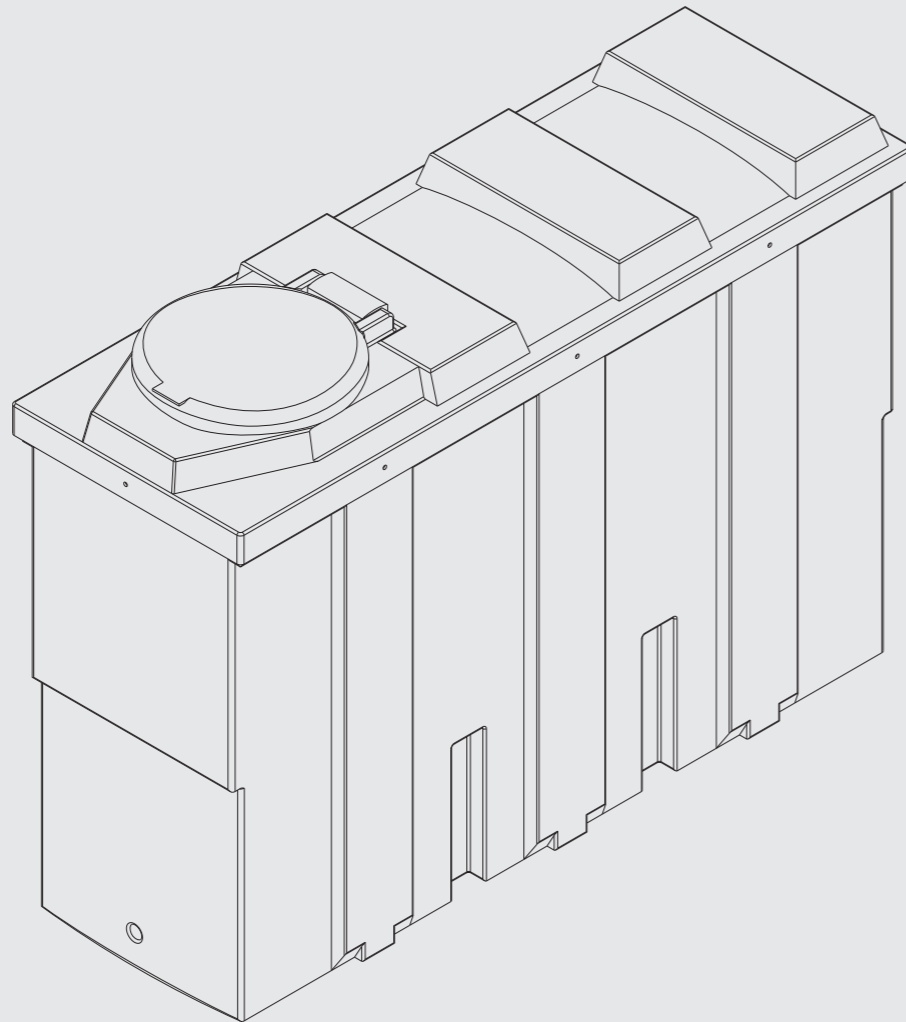


# DESO

## ENGINEERING

Deso Engineering  
Slade Way  
Roughmoor Industrial Estate  
Williton  
Somerset  
TA4 4TB

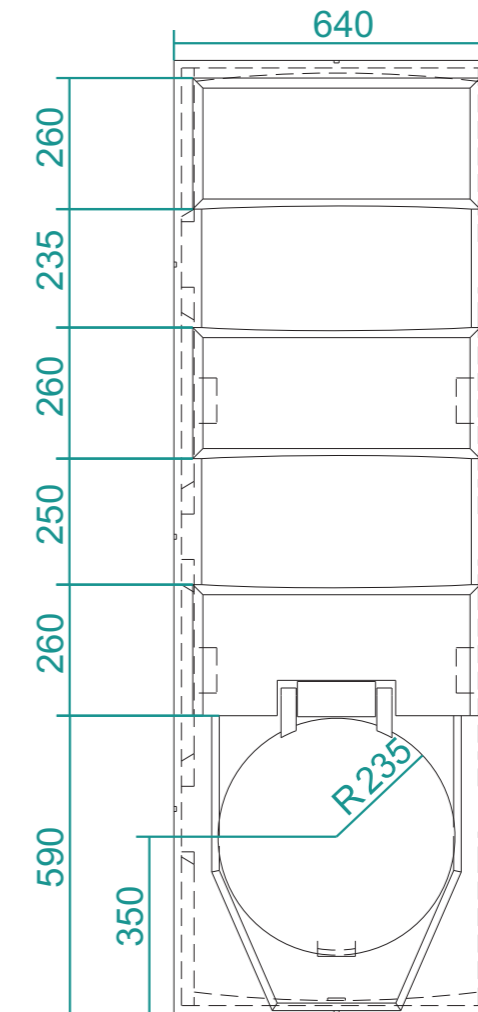
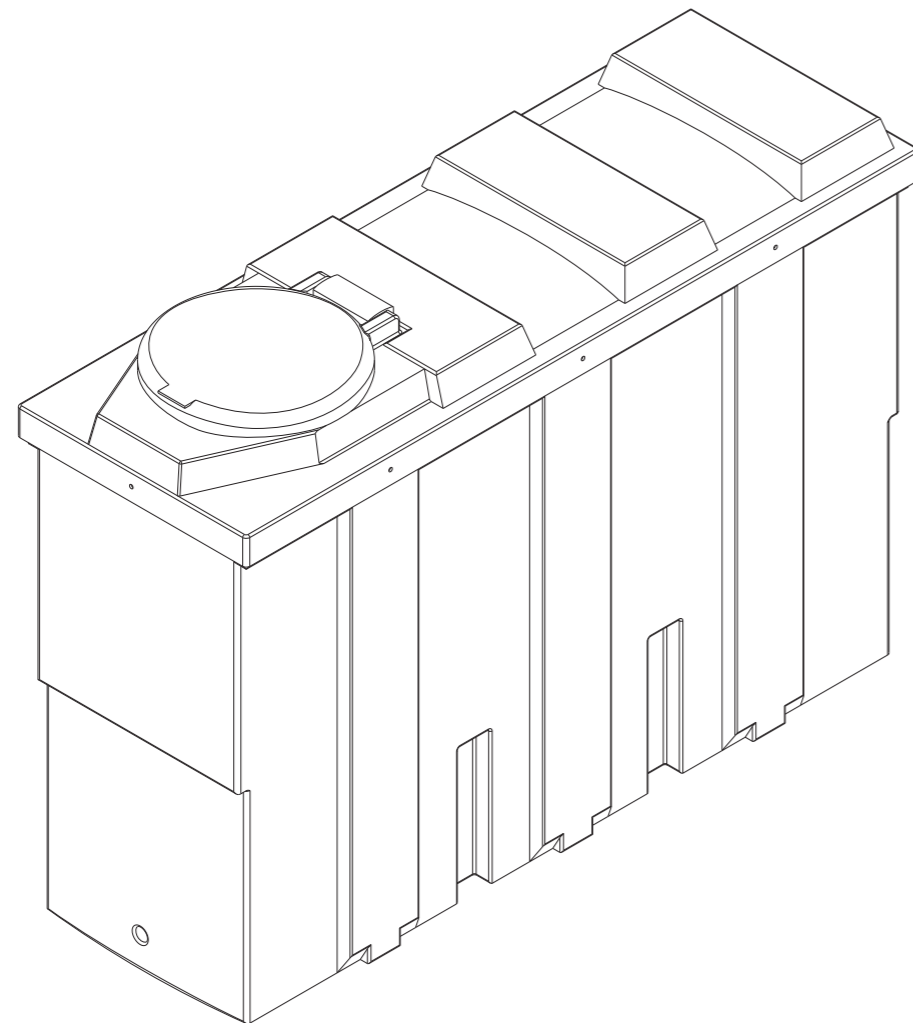
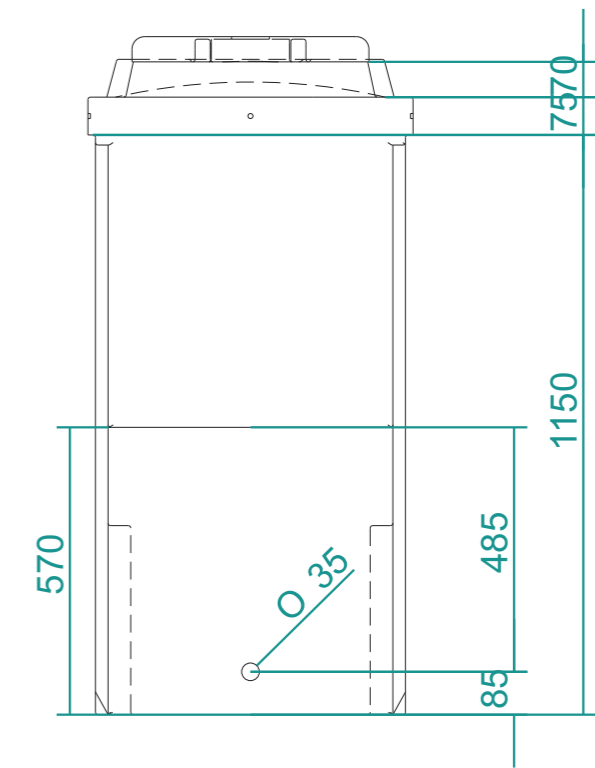
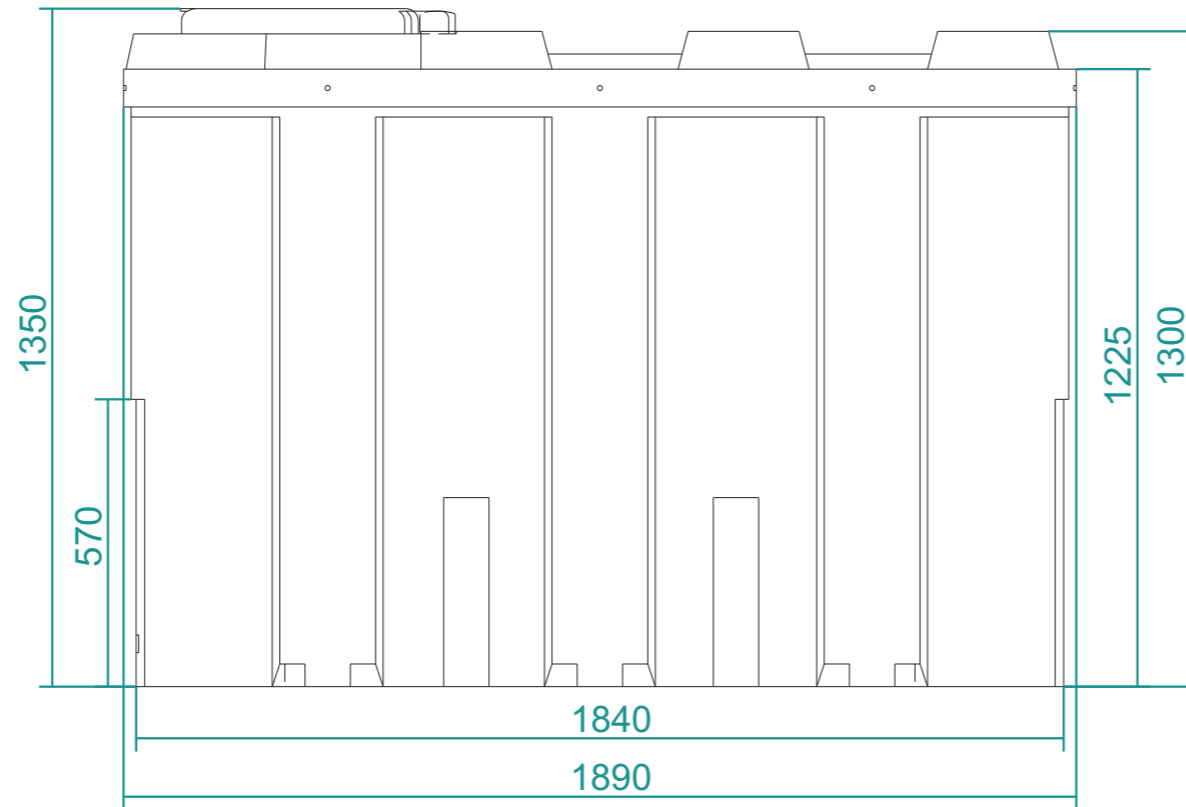
Telephone - 01984 632026  
Fax - 01984 634267  
enquiries@desoengineering.co.uk



# SL1000B

Weight	116kg
Capacity	1000litres
Diameter	-
Length	1890mm
Width	640mm
Height	1350mm
Ofcert licence No.	T100841

# SL1000B



SL1000B	No. 1 of 1	3rd Angle Orthographic	scale: <b>1:15</b>	Design by Inky Design www.inky-design.co.uk
<b>DESO</b> <b>ENGINEERING</b> Telephone - 01984 632026		drawn by: Jonathan Taphouse (BEng)		
		date: 28 - 05 - 2010	ISO	