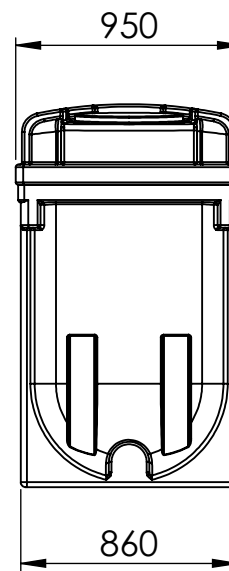
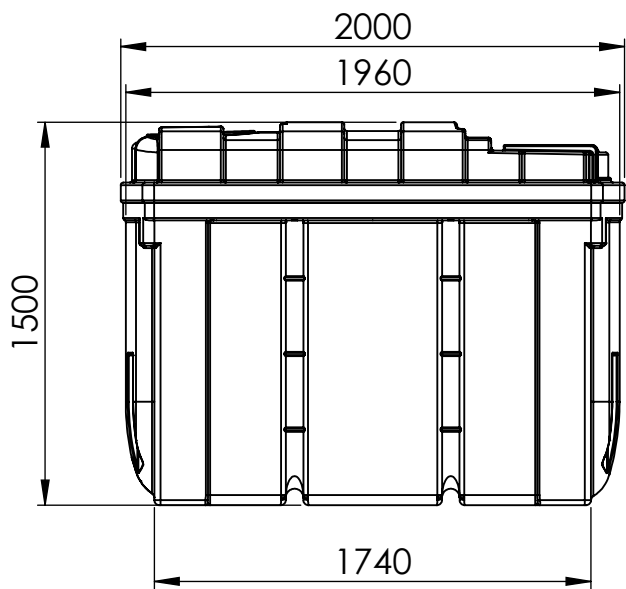


2

1

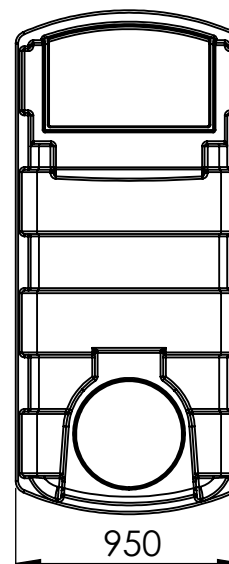
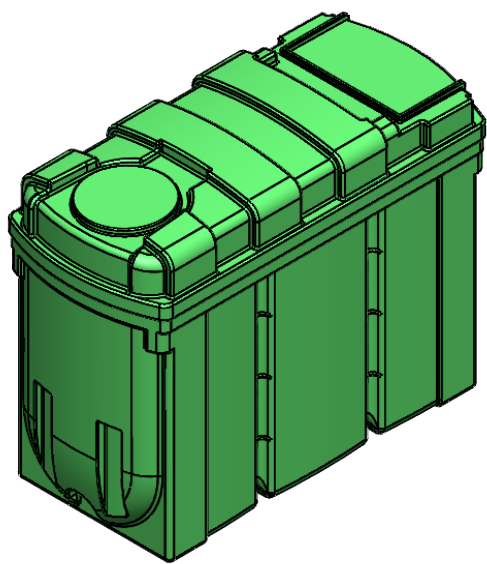
B

B



A

A



DRAWN BY: AARON CLARKE
DATE: 02/07/18
PROPRIETARY AND CONFIDENTIAL
THE INFORMATION CONTAINED IN THIS
DRAWING IS THE SOLE PROPERTY OF
KINGSPAN ENVIRONMENTAL T/A DESO
ENGINEERING. ANY
REPRODUCTION IN PART OR AS A WHOLE
WITHOUT THE WRITTEN PERMISSION OF
KINGSPAN ENVIRONMENTAL T/A DESO
ENGINEERING IS
PROHIBITED.

DWG. NAME.

REV

H1550 BUND

1

SCALE: 1:30 WEIGHT: 70

SHEET 2 OF 2

2

1