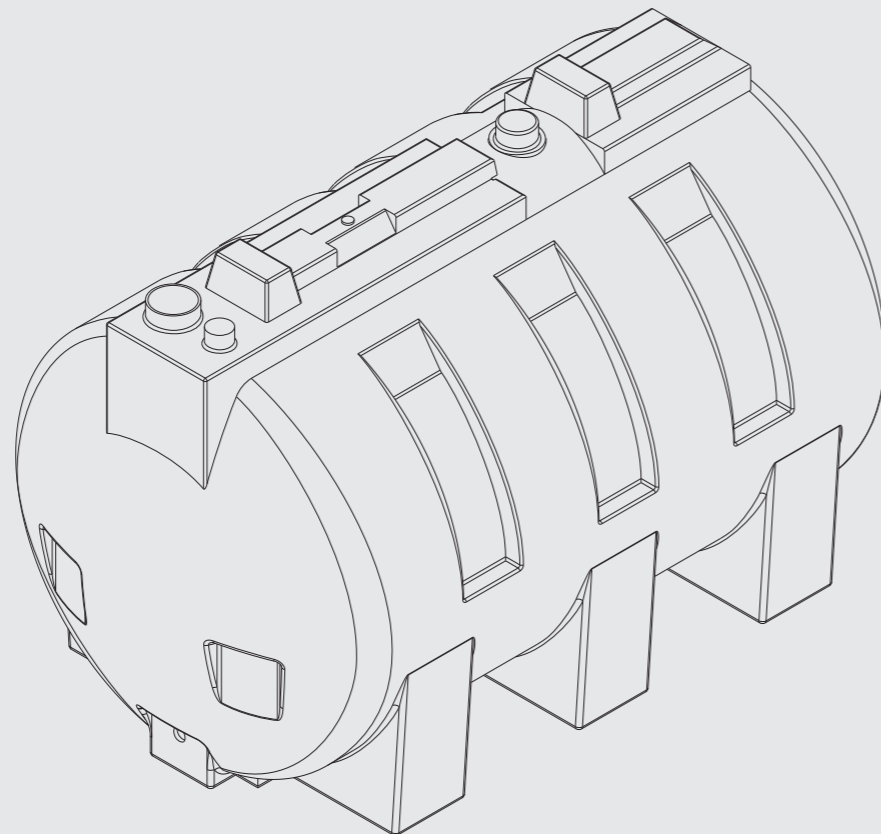


DESO

ENGINEERING

Deso Engineering
Slade Way
Roughmoor Industrial Estate
Williton
Somerset
TA4 4TB

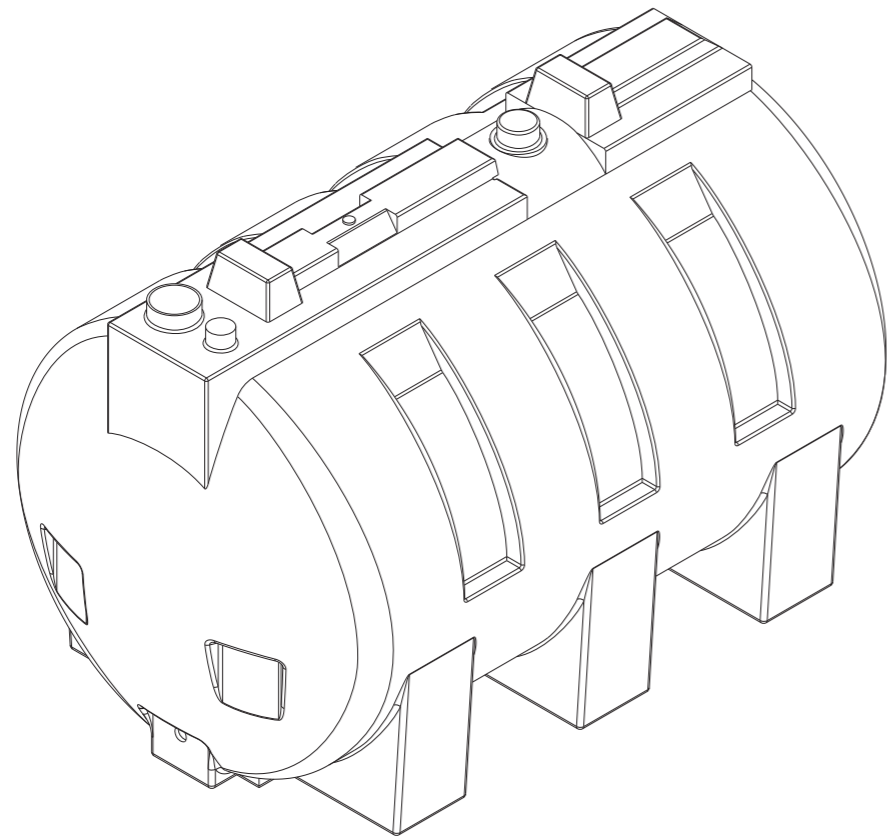
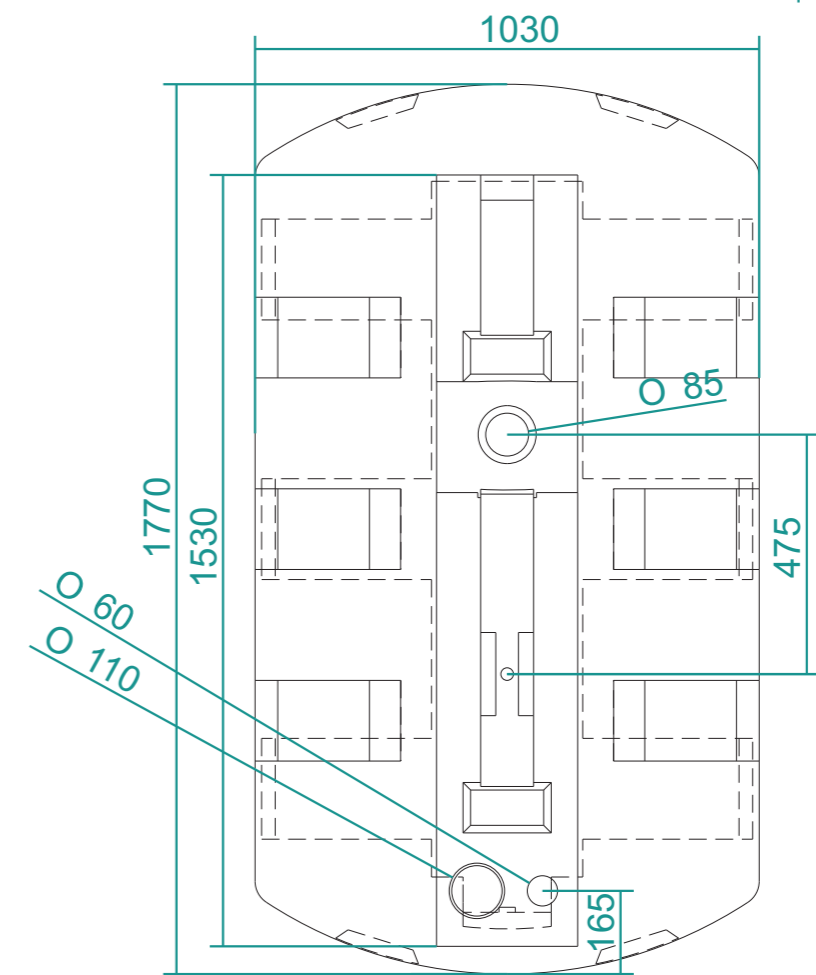
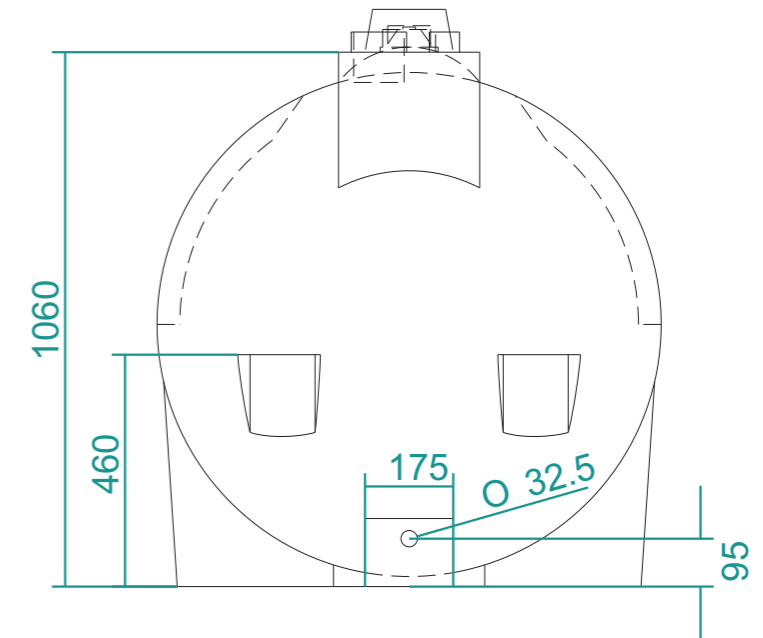
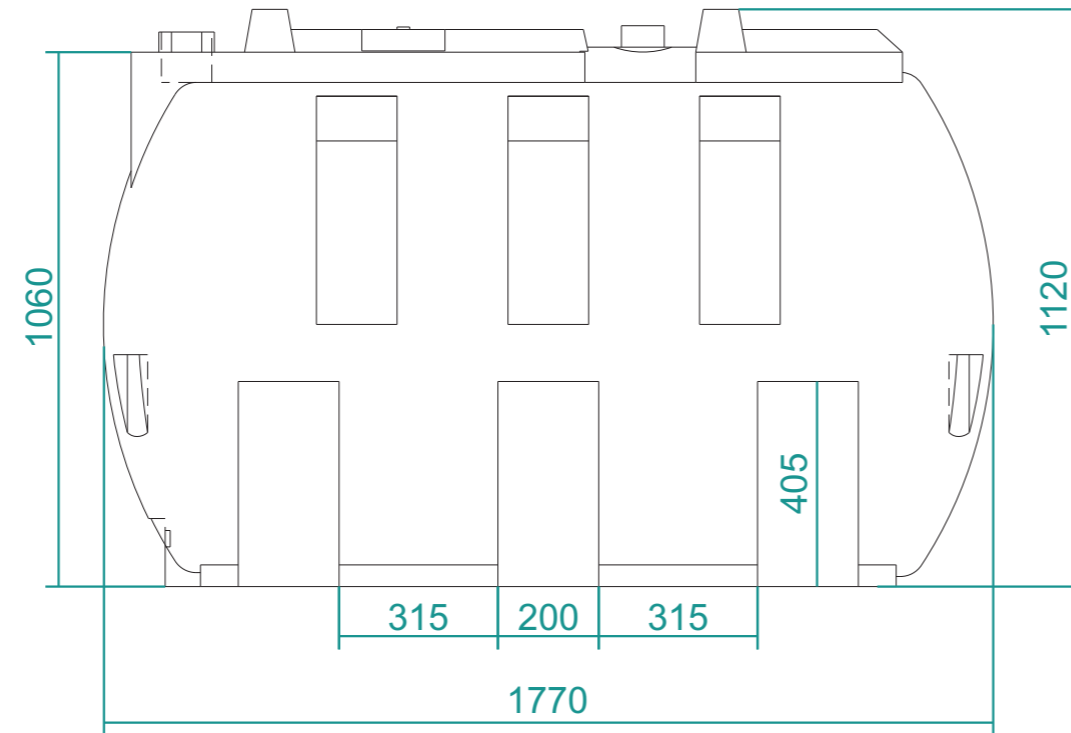
Telephone - 01984 632026
Fax - 01984 634267
enquiries@desoengineering.co.uk



H1235T

Weight	55kg
Capacity	1235litres
Diameter	-
Length	1770mm
Width	1030mm
Height	1120mm
Ofcert licence No.	0668040202

H1235T



H1235T	No. 1 of 1	3rd Angle Orthographic	scale: 1:15	Design by Inky Design www.inky-design.co.uk
DESO ENGINEERING Telephone - 01984 632026		drawn by: Jonathan Taphouse (BEng)		
		date: 27 - 01 - 2011	ISO	